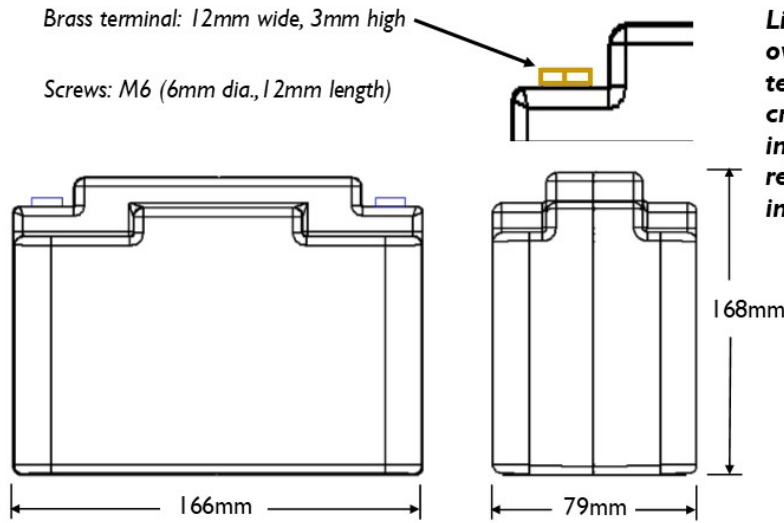




ETX Series Lithium Batteries

ETX900

DIMENSIONS



Lightweight LiFePO4 battery with exclusive over discharge protection, over charge protection, short circuit protection, excessive cranking protection and built in cell balancing technology. All of these features are redundant with an LED battery fault light indicator.



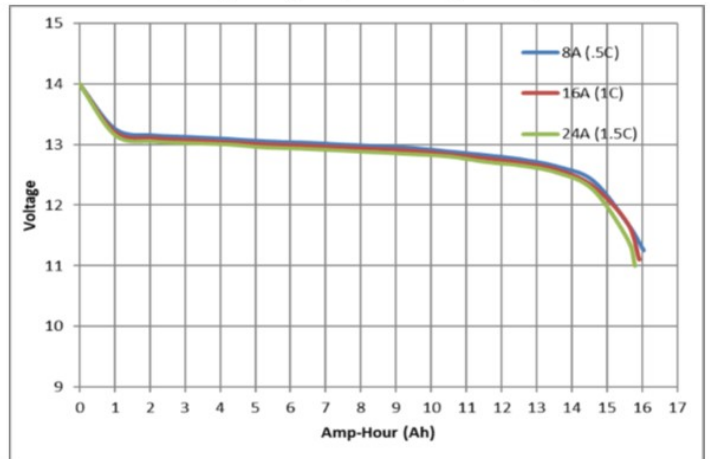
SPECIFICATIONS

Specifications

| | |
|--|---|
| Voltage | 13.2V |
| Capacity | 15.6Ah (See charts) |
| Capacity vs Temperature | 25 °C = 100% 0 °C = 92% -30 °C = 80% |
| Self-Discharge Rate | < 3% / month @ 25 °C |
| Pulse Crank Amps (PCA) | 840A (3 sec @ 25 °C, voltage >9V) |
| Cold Crank Amps (CCA) | 400A (modified SAE test, 3 sec @ 0 °F, volts >7.2V) |
| Continuous Discharge Amps | 150A |
| Standard Charge Voltage | 13.9 - 14.6 V |
| Maximum Charge Voltage | 15V |
| Recommended Charge Amps | 5 - 20A |
| Max Charge Amps | 80A (from vehicle charging system) |
| Life (Charge cycles, 80% depth of discharge) | 4000 cycles @ 1C discharge rate, 25°C 2000 cycles @ 10C discharge rate, 25°C |
| Life (Years) | 8 Years |
| Weight | 4.9 lb. (2.2Kg) |
| Dimensions | 6.5 in (L) x 3.1 in (W) x 6.6 in (H) 166mm(L) x 79mm (W) x 168mm (H) |
| Environmental Rating (resistance to water intrusion) | IP 66 (wash down with a high pressure washer) |
| Operating Temperature | -30 °C to +60 °C |
| Storage Temperature | -40 °C to +70 °C |

Discharge Characteristics

Discharge Ah (multiple discharge rates)



Discharge Minutes (multiple discharge rates)

